

A Unique Solar Photovoltaic Generator TransZSI-DVR for Grid-Connected PV System Power Quality Improvement

M.SWATHI ¹, S.RUBEENA BI ², S.AYISHA SULTHANA ³, K.AMRUTHA VARSHINI ⁴, G.FRANCIES ⁵ & J.VIKHAYATH ⁶

^{1,2} Assistant professor, Department of Electrical and Electronics Engineering, Annamacharya Institute of Technology and Sciences (AITS), Rajampet

^{3,4,5,6} Student of Electrical Engineering, Annamacharya Institute of Technology and Sciences (AITS), Rajampet

ABSTRACT

In this article, a new sun-oriented PV took care of Dynamic Voltage Restorer (DVR) in view of Trans-Z-source Inverter (TransZSI) is proposed to further develop the power nature of on-network Photovoltaic (PV) frameworks. DVR is a power electronic compensator utilizing for infusing the ideal voltage to the Purpose In like manner Coupling (PCC) according to the voltage unsettling influence. In the proposed DVR, instead of customary VSI, TransZSI with exceptional benefits of buck/help, a more extensive scope of voltage support gain, less uninvolved parts, and lower voltage stress, is advanced. For proficient recognition, exact voltage unsettling influences moderation, and furthermore decreasing the infused voltage sounds, a half breed Unit Vector Layout with Most extreme Consistent Lift Control (UVT-MCBC) strategy is proposed for TransZSI-DVR. The presentation of the proposed TransZSI-DVR with UVT-MCBC has been dissected under extreme hang, slight list with sounds, swell, and interference. The relative investigations and re-enactment results have shown the adequacy of the proposed TransZSI-DVR, instead of conventional ZSI-DVR and VSI-DVR. The TransZSI-DVR in the PV framework has moderated voltage hang/expand/interference. It has additionally further developed the power nature of both the infused voltage to the PCC and PV framework's result voltage.

INDEX TERMS: PV, DVR, TransZSI, voltage sag, voltage transient, THD.

NOMENCLATURE

AC	Alternating Current
BES	Battery Energy Storage
CSI	Current Source Inverter
DC	Direct Current
DVR	Dynamic Voltage Restorer
EZSI	Embedded Impedance Source Inverter
IGBT	Insulated-Gate bipolar transistor
LCCT	Inductor/Capacitor/Capacitor/Transformer
MBC	Maximum Boost Control
MCBC	Maximum Constant Boost Control
MPP	Maximum Power Point
MPPT	Maximum Power Point Tracking
PCC	Point of Common Coupling
PLL	Phase-Locked loop
PV	Photovoltaic
PWM	Pulse-Width Modulation
RMS	Root Mean Square
SBC	Simple Boost Control
SLD	Single Line Diagram
SOC	State of Charge
ST	Shoot-Through
STC	Standard Test Conditions
THD	Total Harmonic Distortion
TransZSI	Trans-Z-Source Inverter
TransZSI-DVR	Trans-Z-Source Inverter Based Dynamic Voltage Restorer
UVT	Unit Vector Template
UVT-MCBC	Unit Vector Template with Maximum Constant Boost Control
VSC	Voltage Source Controller
VSI	Voltage Source Inverter
VSI-DVR	Voltage Source Inverter Based Dynamic Voltage Restorer
ZSI	Impedance Source Inverter
ZSI-DVR	Impedance Source Inverter Based Dynamic Voltage Restorer

1.INTRODUCTION

For ecological worries and improvement towards a sus-sustainable society, the future power frameworks will have a high infiltration of sun-based PV and wind power frameworks. The pattern is towards sloping up sustainable power sources and getting rid of petroleum products and coal. Out of environmentally friendly power sources, PV frameworks have been fundamentally shifted towards in light of the fact that the daylight is one of the most plentiful and unreservedly accessible energy

assets on our planet [1]. Be that as it may, the presentation of the PV frameworks can be given over impacted by factors like sun light-based light, temperature, dirtying, mists, and so on bringing about a decrease in the PV yield voltage and in this manner, voltage hang, as the most typical yet essential power quality issues, occurs. With an expansion in the quantity of touchy and critical loads in the cutting-edge power framework, power quality issues like droops, expands or interferences have extended. Such power quality issues bring about extensive misfortunes, for example, misfortunes connected with maker's serious open doors, diminished efficiency, expanded creation and upkeep costs, decreased item quality, diminished hardware life expectancy, and production interferences and energy misfortunes. Having excellent power in this manner, getting to top notch power enormously affects saving capital and enjoys a financial benefit for an assembling organization.[2]-[4]

High power quality delivers an immaculate power supply that has no clamor, sinusoidal waveform, is generally profit capable, and inside voltage and recurrence resistances. Voltage hangs/enlarges/interferences are the main power quality issues which are delegated brief length voltage variations [5]. voltage list is a fall in the Root Mean Square (RMS) voltage (0.1-0.9pu of ostensible voltage) the term of which is 0.5cycles-1min. The main drivers of hangs are normally the shortcomings and beginning of enormous burdens like engines. In matrix associated PV frameworks, halfway concealing condition is the main source of voltage lists. Likewise, a voltage enlarge is an ascent in the RMS voltage (1.1-1.8pu of ostensible voltage) at a similar span as voltage droop. The beginning/stop of huge capacitors and switching off the enormous burdens are the main sources of grows.

There are numerous techniques to stay away from the effect of such voltage unsettling influences on delicate and basic burdens. The most proficient and sensible one is to apply gadgets that are assembled in light of force converters, also known as custom power gadgets [7]. Among them, Dynamic Voltage Restorer (DVR) is the most proficient gadget of decision for the moderation of voltage droops, enlarges, and interferences. DVR is associated in series to the PCC between the heap and source sides, and in solid circumstances, the DVR is in backup mode. When the stockpile voltage goes upper or lower than its ostensible worth, the DVR regulator identifies the size and span of the sup-employ voltage and afterward infuses the ideal voltage to the PCC likewise. A DVR is made out of a DC stockpiling unit, a voltage source inverter (VSI), a LC channel, and three single-stage infusion/coupling transformers [8].

The VSI has been customarily utilized in the DVR con-figuration [9]. In,[10] the presentation of the DVR framework in light of the VSI is explored, and reproduction is performed for voltage hang and voltage grow circumstances. The DVR framework can without much of a stretch handle and keep the voltage adjusted and consistent, which is expected by the heap. Albeit the VSI is generally utilized in DVR setup, it has a few restrictions [11]. Being a buck converter, it needs a DC/DC support converter. Likewise, in every leg, the semiconductors are not turned ON simultaneously; in any case, shoot-through (ST) occurs and harm the inverter span. Note that the ST is achieved by all the while turning on the two switches in the 1ϕ leg, 2ϕ legs, or every 3ϕ leg, subsequently short-circuiting the inventory. Like VSI, Current Source Inverter (CSI) needs a buck converter and leastways one upper or lower semiconductor must be turned on.

To address the restrictions referenced above, Impedance Source Inverter (ZSI) has been proposed [11]. The ZSI utilizes a X shape impedance circuit, including two capacitors and two inductors to not just join the essential circuit to the heap side however to bring huge advantages CSI and VSI need. In the ZSI, the worth of the air conditioner yield voltage doesn't have anything to do with the DC input voltage and can be anything between [0]. Subsequently, the ZSI is a buck and lift converter all the while and has a more extensive voltage gain range. In this way, instead of VSI, the good thought is to involve ZSI in the DVR design. ZSI-DVR arrangement has been concentrated [12]-[21]. In,[12] ZSI-DVR was introduced in which a multi-circle regulator was utilized, and the outcomes showed that the proposed DVR utilized the buck/support benefits of ZSI to utilize the energy stockpiling while at the same time making up for droop ultimately. In any case, the main concentrated on voltage aggravation in this article was droop. Likewise, the customary Heartbeat width Adjustment (PWM) was executed [13]. Comparative work was finished in which productive and clear open-circle list/grow and shut expand regulators were contemplated. In [14]the examination of ZSI-DVR with a fluffy regulator was led, and the simulation results showed a superior exhibition of the proposed ZSI-DVR improved by the fluffy regulator. To work on the ride-through capacity of ZSI-DVR, wind turbine as restore capable energy sources is presented in Nonetheless, [15] the breeze turbine has a breeze age and a rectifier which could build the DVR intricacy and cost. Supercapacitor-based ZSI-DVR as its energy storage was presented in to create DC voltage of ZSI. Supercapacitors can charge fast and discharge very slow.

To increase the voltage-gain and decrease the voltage stress of ZSIs, some modified configurations were proposed. Recently, some studies have been carried out to enhance DVR's performance based on such modified ZSI arrangements. Cascaded multilevel ZSI for DVR was proposed in to decrease the voltage THD. In,embedded EZSI based DVR was presented to mitigate bal- anced/unbalanced voltage sags caused by different faults. The results proved that the proposed DVR is simple to imple- ment, and its cost is low. New LCCT-ZSI based DVR was introduced in, which can provide higher voltage gain. However, THD analysis and performance evaluation for swell and interruption were neglected. YSI based DVR with Fuel Cell was studied and with the help of the fuzzy controller, the THD was reduced, as opposed to ZSI-DVR. Among the modified ZSI configurations presented in TransZSI that uses a capacitor and a transformer as its impedance network has delivered a standout performance. Compared to ZSI, by the transformer's turns ratio, a higher voltage gain is obtained in the TransZSI. Plus, the number of passive elements is reduced, thus reducing the costs and increasing the inverter's lifetime and reliability. As a result, this article tries to propose a new PV fed DVR configuration based on TransZSI in which an integration of PV panel and batteries is presented. This will help the issue related to the capture of energy in PV panels and issue related to the energy reserves of batteries. To boost the efficacy of the DVR controller and provide an accurate detection method and efficient compensation for voltage sags/swells/interruptions, a hybrid unit vector template (UVT) with an MCBC method (UVT-MCBC) is introduced. The UVT can decide the specific beginning/stop points of each and every voltage unsettling influence and afterward making voltage load references for the tweak unit. In this article, the balance unit depends on the MCBC strategy as a changed form of the ordinary

Basic and Greatest Lift Control techniques (SBC and MBC). Notwithstanding, the SBC and MBC strategies have both limitations. The SBC strategy has the restriction of helping the result voltage. The adjustment list diminishes as the ST increments, expanding voltage stress. In the MBC technique, every one of the zero states are utilized as ST states hence expanding the result voltage level. Albeit this technique limits the voltage stress and boosts the voltage gain, it makes low-recurrence swells in the current. This implies the lower the result recurrence, the higher the detached components. The MCBC technique can conquer such restrictions. In the MCBC technique, the ST obligation proportion stays unaltered to bring remarkable advantages of a more extensive voltage gain range and no low-recurrence swells. In this way, the UVT-MCBC can precisely recognize the voltage aggravations, infuse the ideal voltage accordingly with lower sounds, and make up for them efficiently. Beneath, the critical commitments of this work are given:

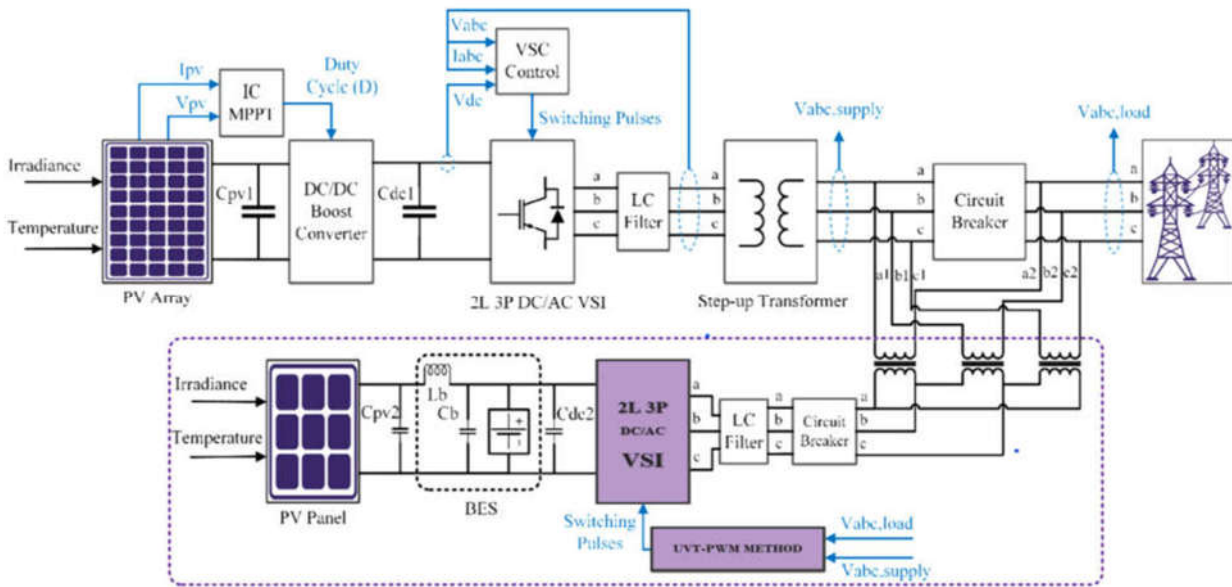


Figure A: PV fed VSI-DVR Configuration

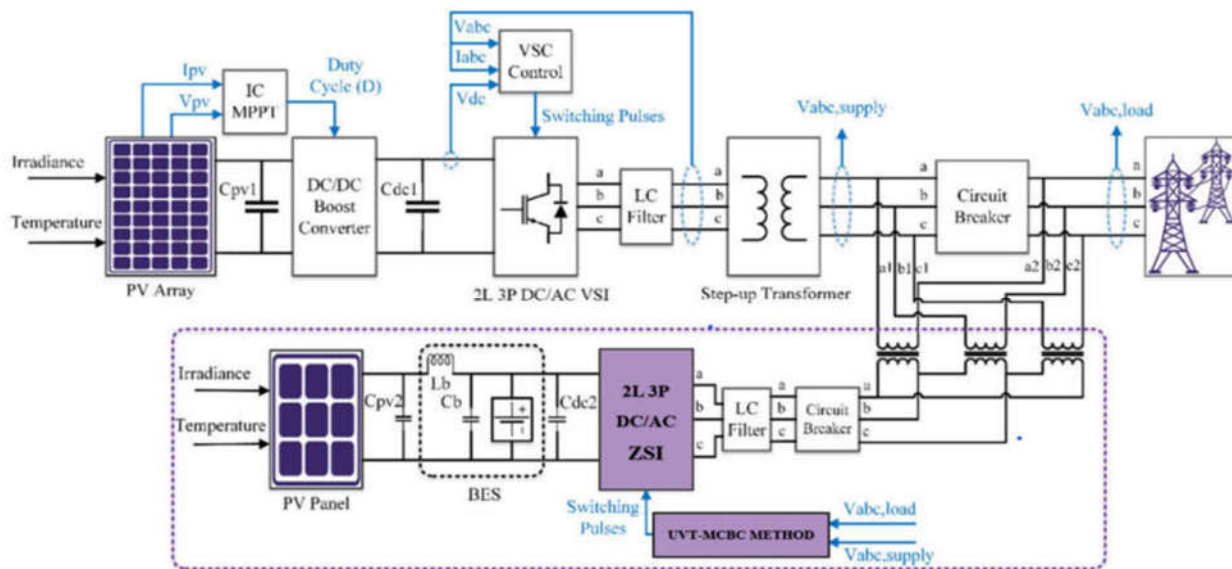


Figure B: PV fed ZSI-DVR Configuration

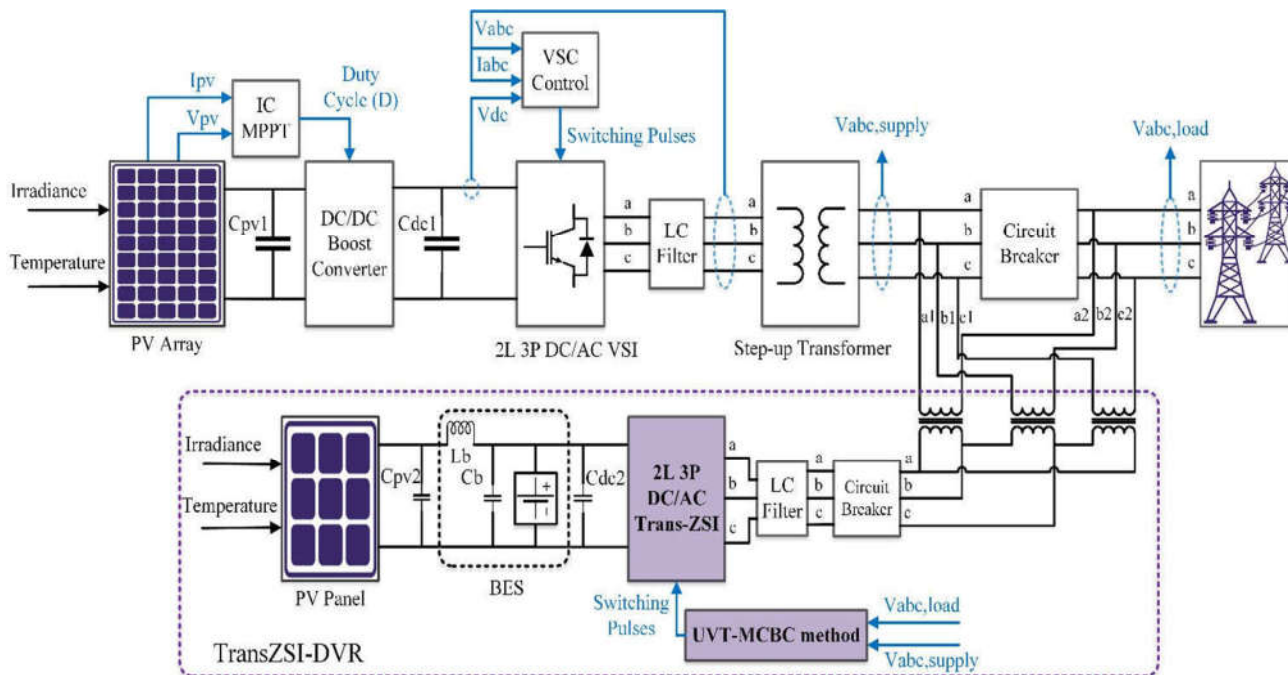


Figure B: PV fed ZSI-DVR Configuration

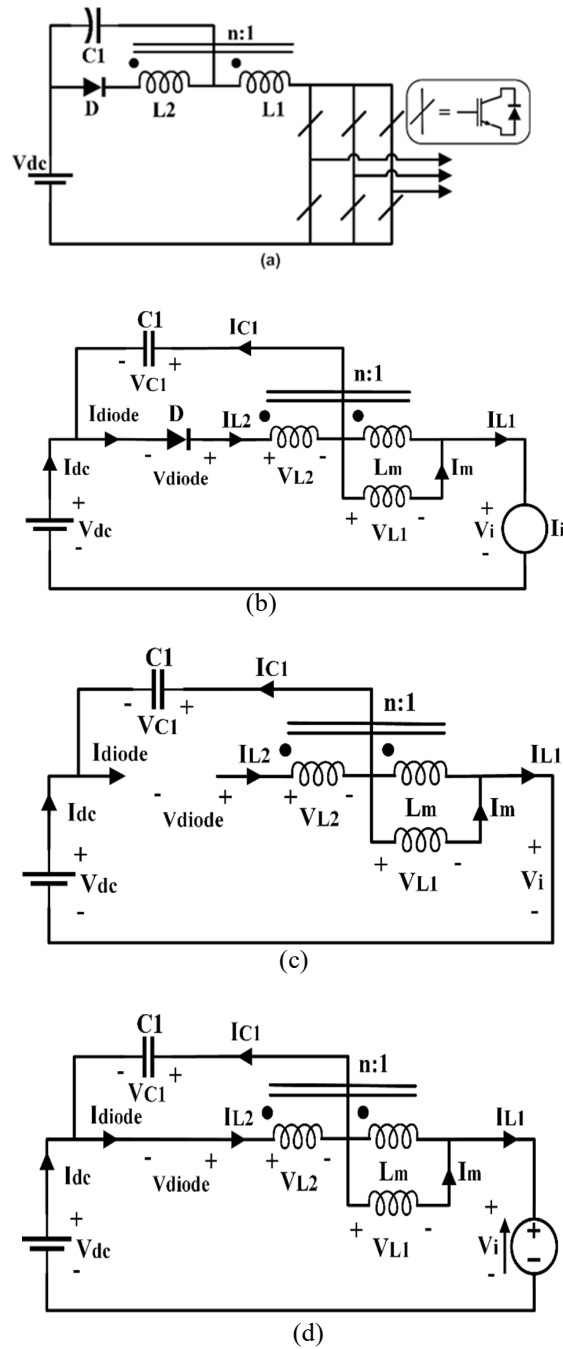
- A sun-oriented PV took care of TransZSI-DVR is proposed in which TransZSI offers extraordinary highlights of (1) a more com-prehensive scope of voltage gain, (2) lower voltage stress across the switches, and (3) less receptive components.
- An UVT-MCBC is introduced to further develop the control execution of the TransZSI-DVR. It gives the best exhibition among the other two customary DVR frameworks by (1) recognition of start/stop points of voltage aggravations, (2) decrease in drifters, (3) alleviation of voltage unsettling influences, and (4) decrease in infused voltage THD. Thus, the result PV voltage's power quality is improved.
- Coordination of the PV board and battery is advanced for the proposed TransZSI-DVR to resolve the issue connected with the catch of energy in PV boards and the issue connected with the energy stores of batteries. Since sunlight as an unreservedly accessible sort of energy brings down batteries' energy limitations, (2) re-energizing batteries with sun-based power offers an advantageous choice for DVR, and (3) batteries assist with facilitating the issue connected with the irregular idea of PV boards.

The proposed sunlight-based PV took care of TransZSI-DVR is depicted in Segment 2 including the origination of TransZSI, cross breed UVT with MCBC strategy (UVT-MCBC), voltage stress butt-centralises, PV cluster displaying, MPPT method, help converter, DC/AC VSI, and VSC regulator. Area 3 presents the simulation results and investigations, along with examinations. Also, the article is finished up in Segment 4.

II. PROPOSED TransZSI-DVR Design

Fig. 1 shows the proposed TransZSI-DVR design. Here, DVR is associated in series to the PCC on the stockpile side (in this article, the result of lattice associated PV framework) to recognize voltage aggravations including hangs, enlarges, and interferences and afterward make up for them. The PV framework involves the PV cluster, MPPT regulator, support converter, DC/AC VSI, channel, 3 ϕ transformer, and distribution organization to which the PV exhibit is associated. In ordinary circumstances, the DVR is in reserve mode. When voltage droops, expands, and interferences occur, the DVR recognizes them, and according to the sum and span of the voltage aggravations and it then, at that point, infuses the ideal voltage to the PCC. The DVR contains a PV board, Battery Energy Stockpiling (BES), the supportive of presented TransZSI, the proposed UVT-MCBC regulator, a LC channel, and three single-stage infusion transformers.

At the point when a voltage unsettling influence happens on the stockpile side, the energy stockpiling in the DVR gives its ideal energy. The energy stockpiling can be a DC-connect capacitor or a Battery Energy Capacity (BES). The capacitor's stockpiling limit is lower than the BES which is the reason the BES is generally utilized. In this article, coordinating the PV board and BES is proposed for TransZSI-DVR. From one viewpoint, sunlight-based energy brings down the batteries' energy limitations. Re-energizing the BES with sunlight-based energy offers a helpful choice for DVR. Batteries conquer the discontinuity worry of PV boards.



A. TransZSI

In this article, two conventional VSI-DVR and ZSI-DVR are considered for execution examination with the favourable to presented TransZSI-DVR. For VSI-DVR, UVT in light of Heartbeat Width Balance (UVT-PWM) is utilized. For both ZSI-DVR and the proposed TransZSI-DVR, the UVT-MCBC strategy is applied. Along these lines, three distinct instances of VSI-DVR (UVT-PWM), ZSI-DVR (UVT-MCBC), TransZSI-DVR (UVT-MCBC) are painstakingly broke down in this work. The VSI has been generally conveyed to frame the point of interaction to the lattice from sustainable power sources. In any case, VSI has constraints that have been brought up in the writing audit. ZSI, as it essential circuit displayed in the Figure 2, can resolve such issues. In ZSI, ST is utilized for helping the voltage source inverter.

Thus, the buck/help highlight is gotten, and the requirement for a lift converter is disposed of. Be that as it may, conventional ZSI has a few limits. Among adjusted designs of ZSI that were as of late acquainted with increment voltage gain and to reduce down on the expense, TransZSI has shown sublime execution in cost, voltage gain, and voltage weight on the switches. Fig. 3(a) portrays the design of TransZSI from the DC-interface perspective.

Like the ZSI, TransZSI has an extra ST zero state beside the 6 dynamic and 2 essential zero states. Fig. 3(b) represents TransZSI's comparable circuit where ZSI's 2 inductors are coupled and uprooted by a transformer. In ST zero expresses, the extension is short-circuited, as displayed in Fig. 3(c). Expecting Dsh as the ST obligation proportion and T as the exchanging cycle, so DshT and (1-Dsh) T are spans for ST and non-ST states, separately. In ST zero expresses, the voltages.

of L_1 & L_2 are [24]:

$$v_{L1} = V_{dc} + V_{C1} \tag{1}$$

$$v_{L2} = \frac{n_2}{n_1} \cdot v_{L1} \tag{2}$$

In non-ST zero states, the bridge is represented as a current source. The non-ST states have 6 active and 2 zero states. The current source is zero in 2 zero states. In non-ST states, as shown in Fig. 3(d), we have [24]:

$$v_{L1} = \frac{n_1}{n_2} \cdot v_{L2} = -\frac{n_1}{n_2} \cdot V_{C1} \tag{3}$$

$$v_{L2} = -V_{C1} \tag{4}$$

The median inductors' voltage would be 0 throughout the switching cycle (steady-state). From (1) and (3):

$$\begin{aligned} \langle v_{L1} \rangle &= \frac{(V_{dc} + V_{C1}) \cdot D_{sh} \cdot T + \left(-\frac{n_1}{n_2} \cdot V_{C1}\right) \cdot (1 - D_{sh}) \cdot T}{T} \\ &= 0 \end{aligned} \tag{5}$$

Based on (5), the capacitor's voltage is:

$$V_{C1} = \frac{n \cdot D_{sh}}{1 - \left(1 + \frac{n_2}{n_1}\right) \cdot D_{sh}} V_{dc} \tag{6}$$

where $\frac{n_2}{n_1} = n \geq 1$. From (4)-(6), the DC-link voltage in the non-ST states is increased to:

$$\widehat{v}_i = \left(\frac{1}{1 - (1 + n) \cdot D_{sh}}\right) V_{dc} = B \cdot V_{dc} \tag{7}$$

In (7), B is the boost factor:

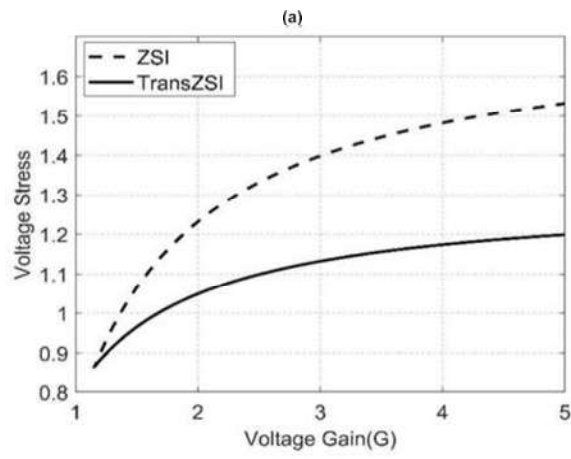
$$B = \frac{1}{1 - (1 + n) \cdot D_{sh}} \tag{8}$$

The phase voltage's peak value viewed from the output of the inverter is:

$$\widehat{V}_{ph} = M \cdot \left(\frac{\widehat{V}_i}{2}\right) = M \cdot \left(B \cdot \frac{V_{dc}}{2}\right) \tag{9}$$

In (9), M remarks the modulation index. In turn, the voltage gain would be:

$$G = \frac{M}{1 - (1 + n) \cdot \left(1 - \frac{\sqrt{3}}{2} M\right)} \tag{10}$$



(b)
Fig: MCBC Method in ZSI and TRANS-ZSI

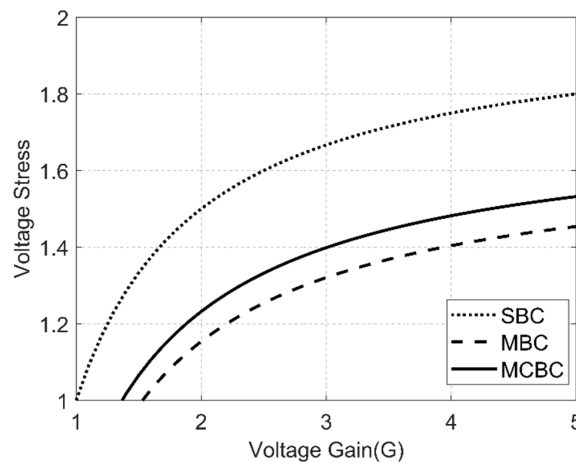
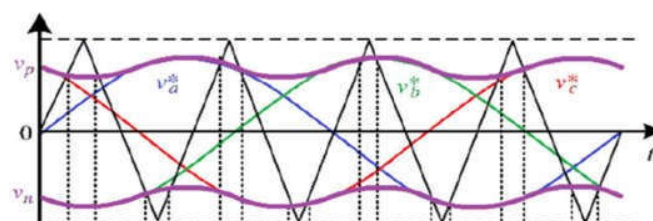
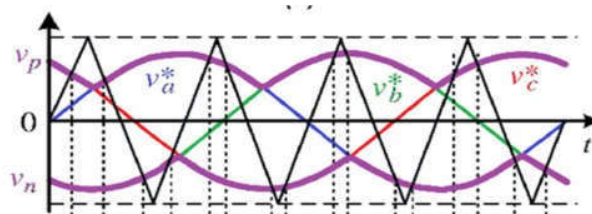
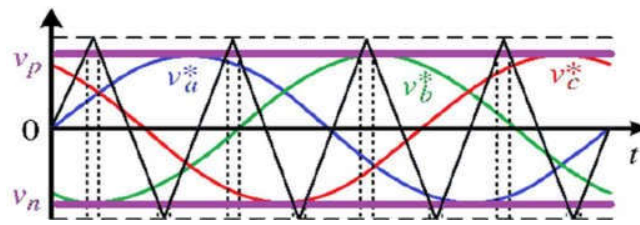


Fig: Different control methods in ZSI



Equation (10) is determined when the MCBC strategy is executed to the TransZSI. The MCBC strategy will be made sense of in the accompanying subsection. It is worth focusing on that when the MCBC strategy is utilized in the ZSI, the voltage gain is

$$G = \frac{M}{\sqrt{3M - 1}}$$

According to (10) and (11), the voltage gain conditions of ZSI and TransZSI are equivalent when $n = 1$. Assuming that n is higher than 1, the ZSI's voltage gain is lower than TransZSI. Thus, the TransZSI voltage gain is higher for a given balance record (see Fig. 4). This actually intends that in TransZSI, the ST obligation proportion is lower, and the balance file is higher.

B. TransZSI-DVR CONTROL System

1) UNIT VECTOR Format (UVT) Technique:

The three-stage supply voltages of V_{sa} , V_{sb} , and V_{sc} (in this article, the network associated PV yield AC voltage) are determined and afterward increased by $K=1 V_m$, where V_m is the pinnacle size of supply voltage as underneath. The heap reference voltages alongside the deliberate burden voltages (V_{1a} , V_{1b} , V_{1c}) are given to the regulation unit to make exchanging beats (S1 to S6) for setting off the switches of DC/AC inverter. Fig. 5 shows the DVR control graph in view of the UVT-MCBC technique. The MCBC technique will be made sense of exhaustively in the accompanying subsection.

2) MCBC Strategy:

As examined before, the higher voltage gain brings about a fall in the balance record and an ascent in the voltage stress. Numerous PWM strategies were introduced to expand voltage gain and limit the voltage stress at the same time. The SBC strategy, as displayed in Fig. 6(a), was introduced to control ST yet it is frail in amplifying the result voltage. To lay it out plainly, the higher the ST, the lower the regulation record. Along these lines, voltage stress is high. Then the MBC technique, as displayed in Fig. 6(b), was proposed. Albeit in MBC the voltage stress is altogether declined and the result voltage is supported, it creates low-recurrence swells.

To eliminate such waves, the MCBC strategy as delineated in Fig. 6(c) is applied in which the ST obligation proportion is kept consistent. Thusly, interesting elements like a more extensive scope of voltage gain and lower voltage stress are gotten. Based on Fig. 6(c), there are three reference bends and two ST envelope bends. The inverter is in the ST zero states once the transporter triangle wave goes over V_p or under V_n . Other-savvy, the converter performs in light of the essential transporter based PWM.

PV Exhibit Demonstrating AND MPPT Algorithm:

A PV exhibit contains some PV modules that are shaped by some PV cells. Fig. 8 shows a comparable single-diode model of a PV cell. In this model, I_{PV} is PV current in light of sun-oriented illumination, R_p and R_s are equal and series branch resistors, I_D is diode current, and V and I are yielding voltage and current, separately. Condition portrays the PV cell yield current at Standard Test Conditions (STC) (radiation of $1000W/m^2$ and cell temperature of $25^\circ C$).

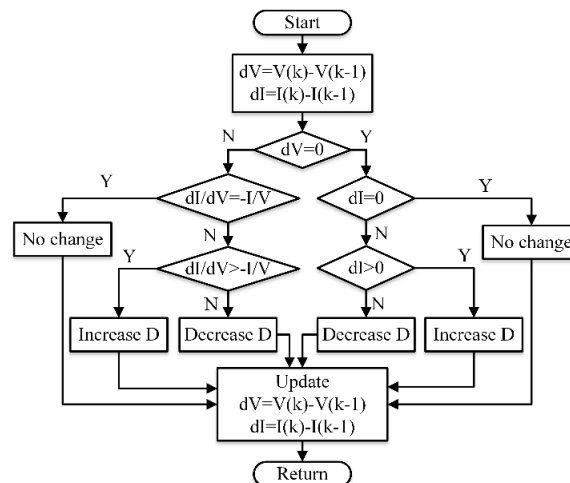


Fig: The IC algorithm's flowchart.

where I_{sat} is the diode immersion current, Q is the electron charge, n is the diode proliferation coefficient, K is the Boltzmann consistent, and T is the cell's genuine temperature. PV frameworks are exceptionally impacted by sun-based illumination and gum-based paint ture. Acquiring greatest PV power is of significance, to this end, a precise MPPT procedure can find the most extreme power point (MPP) of the PV framework. In this work,

we utilized the Gradual Conductance (IC) strategy which is based on the estimation of the result PV voltage by looking at immediate and steady conductance. On the off chance that these two qualities are equivalent, the MPP is reached. An IC MPPT regulator enhances the exchanging obligation cycle (D) to make the ideal voltage, acquiring the MPP. Fig. 9 shows the IC calculation's flowchart.

D. DC/DC AND DC/AC POWER CONVERTERS

The result PV cluster voltage is typically low, and to interface with the appropriation organization, this voltage should be supported. A DC/DC help converter can fill this need and expand the electrical energy got from PV exhibits. This helped voltage should be thusly changed over completely to AC voltage for association with the organization. In this article, a 5-kHz DC/DC support converter and a 10-kHz 2L 3φ VSI are utilized. To control VSI and make its exchanging beats, Voltage Source Regulator (VSC) procedure, as displayed in Fig. 10, is applied. The VSC has two outer and inside control circles. The external circle handles the DC-connect voltage and the internal one controls dynamic and receptive parts of matrix flows. The regulation signs, U_a^*bc , are made by the DC voltage regulator yield (I_d^*) and the results of the ongoing regulator (V_d , V_d) to be applied to the PWM block.

BUCK BOOST CONVERTERS:

The buck-support converter is a kind of DC-to-DC converter that has a result voltage size that is either more prominent than or not exactly the info voltage greatness. It is identical to a flyback converter utilizing a solitary inductor rather than a transformer. Two unique geographies are called buck-help converter. The two of them can create a scope of result voltages, going from a lot bigger (in outright size) than the information voltage, down to very nearly zero.

In the rearranging geography, the result voltage is of the contrary extremity than the info. This is an exchanged mode power supply with a comparable circuit geography to the lift converter and the buck converter. The result voltage is flexible in light of the obligation pattern of the exchanging semiconductor. One potential downside of this converter is that the switch doesn't have a terminal at ground; this convolutes the driving hardware. Be that as it may, this downside is of no result assuming the power supply is segregated from the heap circuit (if, for instance, the stock is a battery) in light of the fact that the inventory and diode extremity can just be switched. At the point when they can be turned around, the switch can be on either the ground side or the stock side.

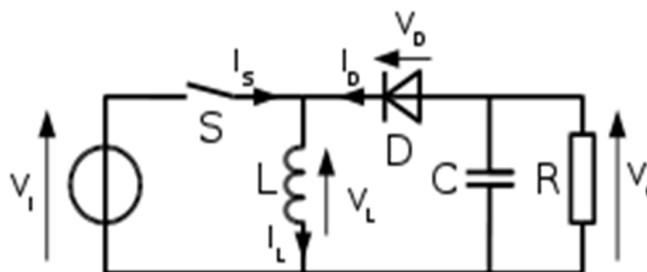


FIG: The equivalent circuit single-diode model of a PV cell.

At the point when a buck (step-down) converter is joined with a lift (move forward) converter, the result voltage is commonly of a similar extremity of the info, and can be lower or higher than the information. Such a non-transforming buck-support converter might utilize a solitary inductor which is utilized for both the buck inductor mode and the lift inductor mode, utilizing switches rather than diodes, once in a while called a "four-switch buck-help converter", it might utilize various inductors however just a solitary switch as in the SEPIC and Ćuk geographies.

The essential rule of the transforming buck-help converter is genuinely straightforward. while in the On-express, the information voltage source is straightforwardly associated with the inductor (L). This outcomes in gathering energy in L. In this stage, the capacitor supplies energy to the result load. while in the Off-express, the inductor is associated with the result burden and capacitor, so energy is moved from L to C and R.

III. SIMULATION RESULTS

In this part, the exhibition assessment of the proposed PV took care of TransZSI-DVR design is recreated done, and afterward the outcomes are contrasted with the results of traditional VSI-DVR and ZSI-DVR arrangements where VSI and ZSI are utilized, individually. The accompanying subsections represent three distinct situations of VSI-DVR, ZSI-DVR, and the proposed TransZSI-DVR. In all systems introduced in this article, four different voltage aggravations as extreme voltage list (75%), slight voltage droop with music (half), volt-age expand (20%), and interference (100 percent) are applied. The extreme droop as the main voltage aggravation happens on account of halfway concealing circumstances at sunlight-based illumination of 250W m2 in the PV framework. The second voltage unsettling influence is a slight droop with sounds. This is additionally a result of halfway concealing circumstances at sunlight-based light of 500W m2. Grow is the third-volt aggravation which is nearly brought about by a sudden decrease in load, for example, when an enormous engine is switched off. The last voltage unsettling influence is an interference. Deficiencies are the normal reasons for interferences. In all situations, the stock voltage is the PV frameworks' result voltage. The boundaries of the lattice associated PV framework and the proposed TransZSI-DVR are both given in Table 2 in the Reference section.

Results of VSI

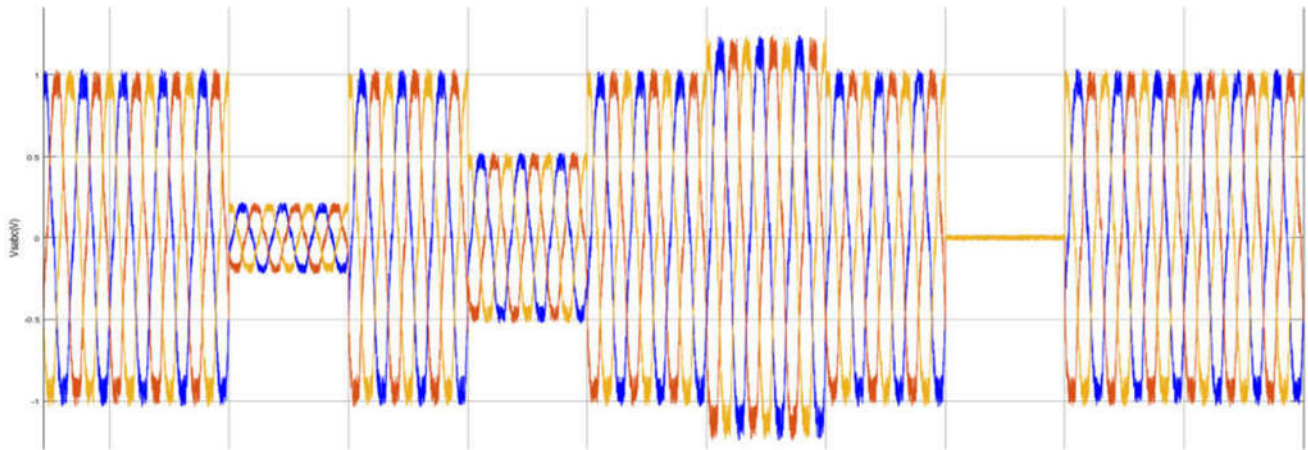


Fig: Supply voltage

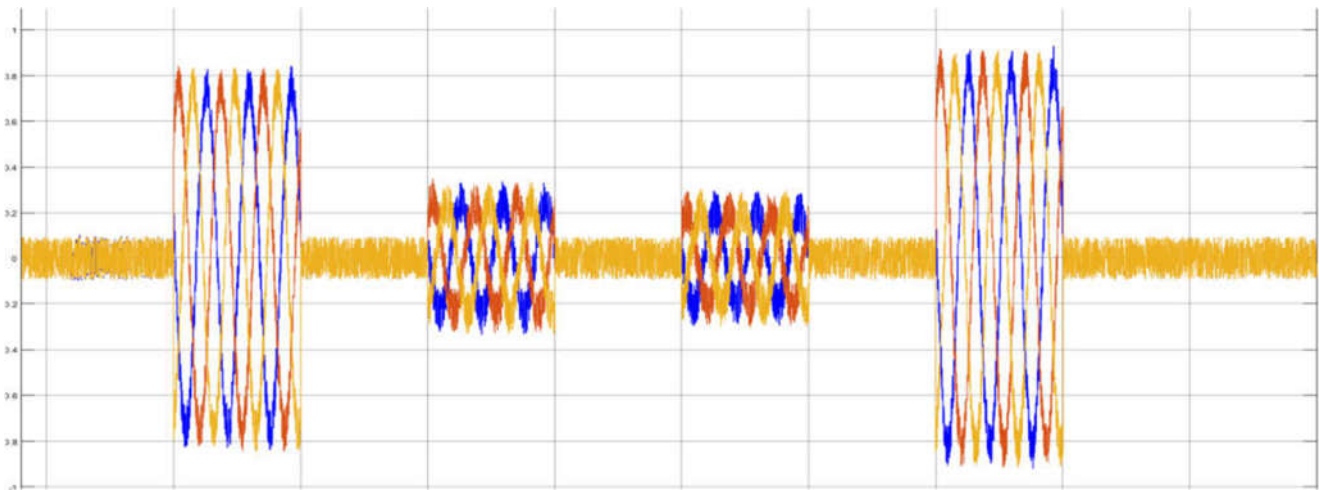


Fig: Injected voltage

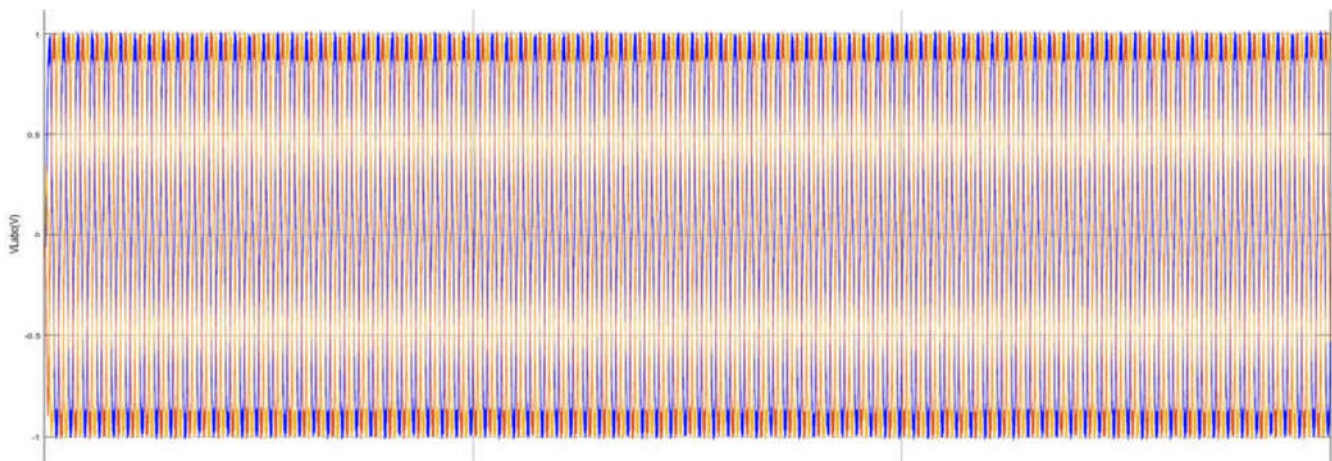


Fig: Load voltage (after compensation)

Results of ZSI:

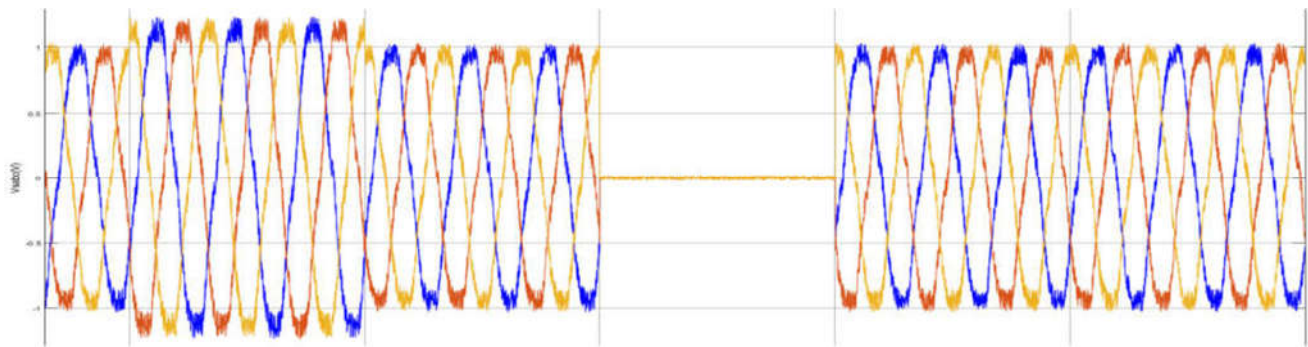


Figure: Supply voltage

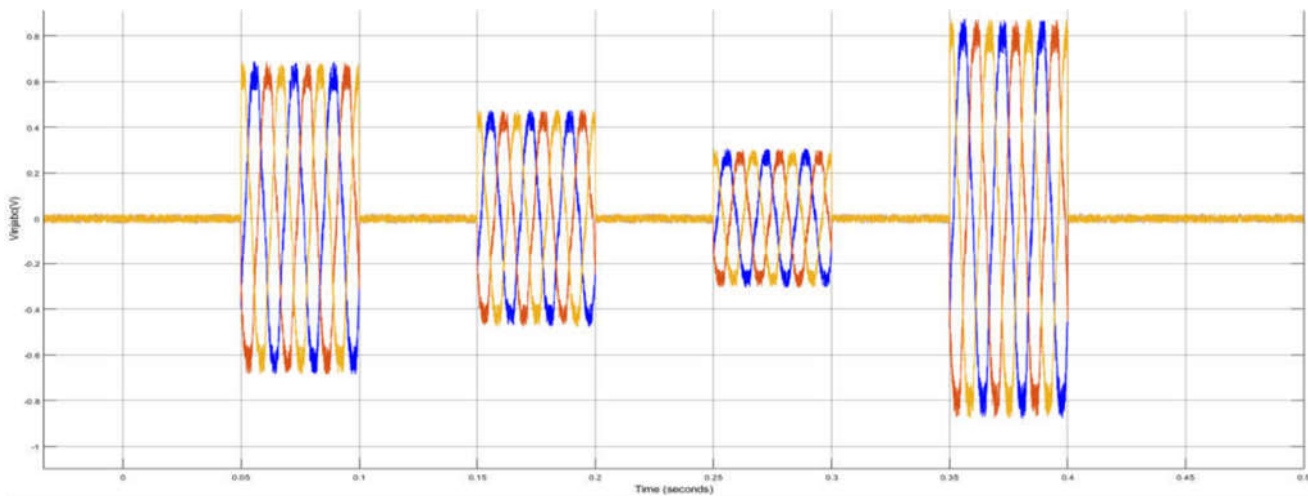


Figure: Injected Voltage

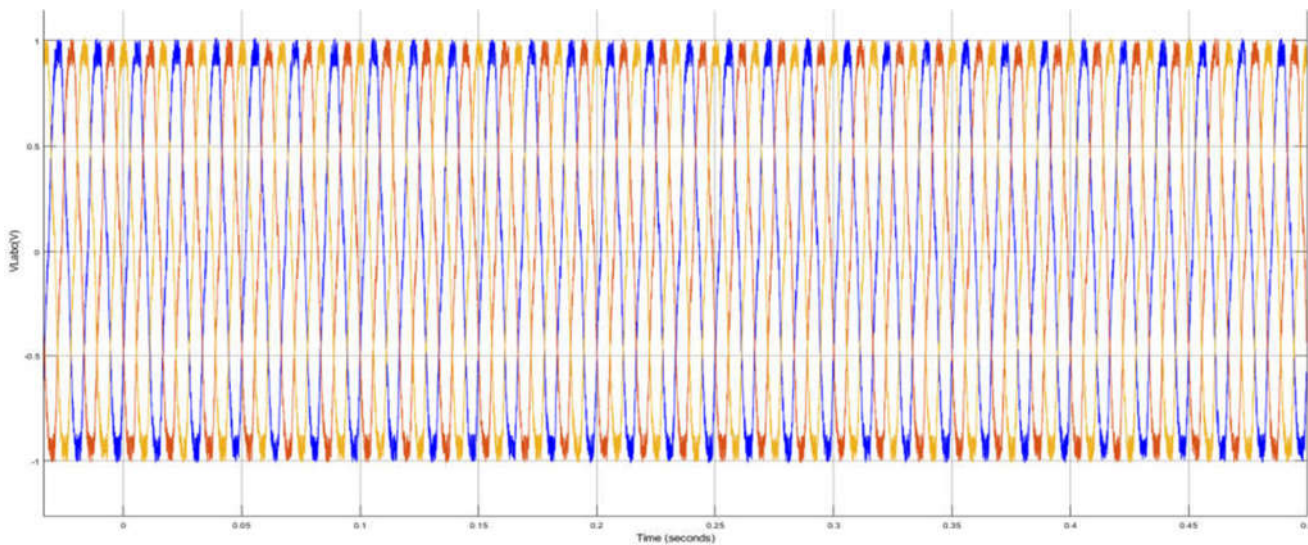


Figure: Load Voltage

Results of TRANS-ZSI:

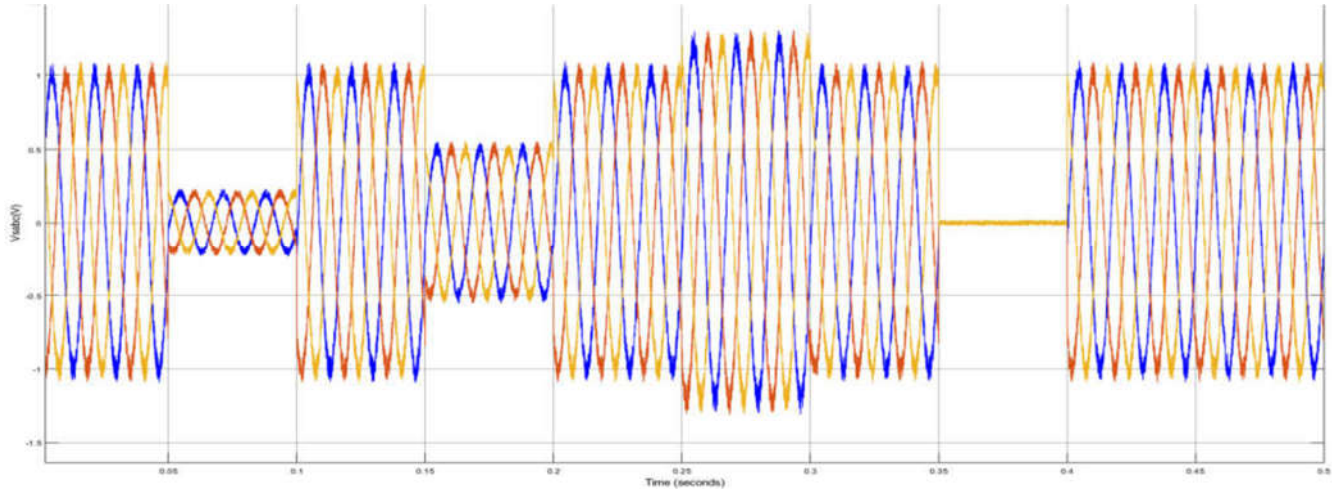


Figure: Supply Voltage

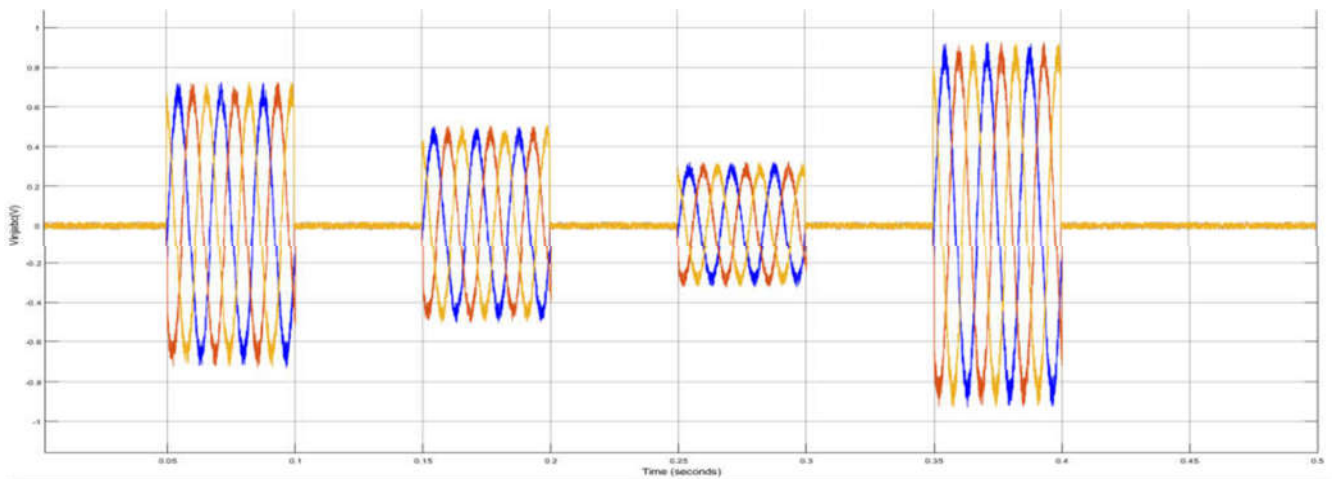


Figure: Injected Voltage

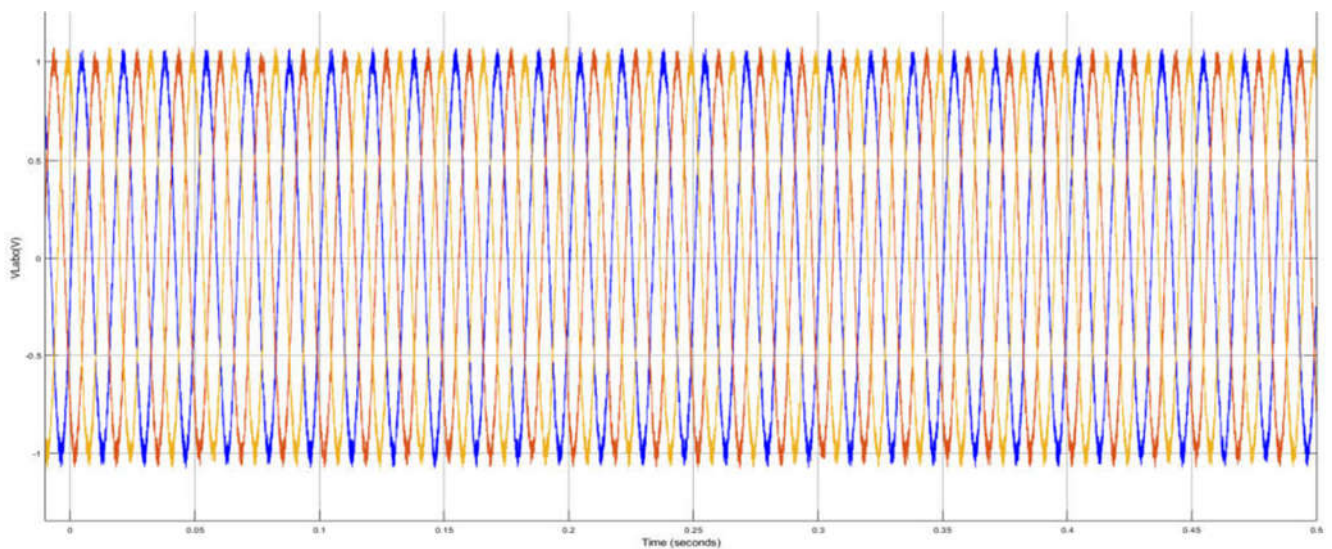


Figure: Load Voltage

A. SCENARIO 1: VOLTAGE COMPENSAATION BY VSI-DVR

In this situation, the exhibition of the DVR in which a customary VSI is utilized is examined. There are here two significant issues. To begin with, traditional VSI is a buck inverter. In this way, the out-put PV board voltage which is typically

low should be supported. In any case, other power converters like flowed staggered VSIs that have higher voltage help gain should convey higher result voltage. Notwithstanding the benefits of such inverters, they have a greater expense and complex regulators. All things considered, in this situation, a lift converter before the BES is considered to expand the DC yield voltage of the PV board. Its boundaries are L 5mH, C 3000μF and fs 5kHz. Second, in this situation, the PWM strategy for the balance unit with a tweak list of 0.8 is utilized in VSI (see Fig. 5).

Fig. 12 portrays the stockpile voltage (PV frameworks' result voltage), the infused voltage by the VSI-DVR, and the heap voltage. As found in the centre subfigure, the greatness of the infused voltage toward the start of serious list (0.05-0.1s) and interference (0.35-0.4s) is higher than the ideal voltage. This, subsequently, prompts a recognizable transient in the heap voltage, as displayed in the lower subfigure. Likewise, there is an impressive defer in the ideal voltage infusion (centre subfigure) for voltage grow, in this way, the heap voltage size toward the start (0.25 0.3) is somewhat changing and delivers vacillations (lower subfigure). Note that after each infused voltage stretch (centre subfigure), we can notice some flashes which should be taken out once there is no voltage unsettling influence. Figs. 13(a)- (d) present the voltage THD values (stage a) for each infused voltage of situation 1 (VSI-DVR). The upsides of voltage THD for serious list (0.05-0.1s), slight hang with music (0.15-0.2s), expand (0.25-0.3s), and between eruption (0.35-0.4s) are estimated 10.73%, 17.79%, 45.11%, and 10.70%, individually. Likewise, the full burden voltage THD (stage a) is determined at 10.12%, as displayed in Fig. 13(e).

B. SCENARIO 2: VOLTAGE COMPENSATION BY ZSI-DVR

As displayed prior, VSI has a few restrictions. To survive, VSI can be supplanted by ZSI that has buck/support highlights, higher voltage gain, lower cost, and higher effectiveness. The boundaries of the ZSI's X shape organization, as displayed in Fig. 2, are C1&C2 100μF and L1&L2 2mH. By applying the ST obligation proportion and the X shape organization, the lift highlight that can't be accomplished in the conventional VSI is feasible in the ZSI. This implies the requirement for the lift converter is wiped out subsequently having one power change and lower cost. Fig. 14 outlines the stockpile voltage (PV frameworks' result voltage), the infused voltage by the ZSI-DVR, and the heap voltage. As displayed here, the issue of having a higher size of the infused voltage toward the start of serious droop and interference is to a great extent tackled (centre sub-figure). This implies that the drifters of the heap voltage are lower (lower subfigure), rather than the homeless people of VSI-DVR. Albeit the deferral toward the start of the ideal infused voltage with enlarge is decreased (centre subfigure), the variances of burden voltage toward the start of 0.25-0.3s still exist (lower subfigure).

Additionally, the flashes after the time frame infused voltage are as yet seen (centre subfigure). Figs. 15(a)- (d) show the voltage THD values (stage a) for each infused voltage of situation 2 (ZSI-DVR). The upsides of voltage THD for serious hang (0.05-0.1s), slight droop with music (0.15-0.2s), enlarge (0.25-0.3s), and interference (0.35-0.4s) are estimated 3.79%, 13.10%, 40.14%, and 3.29%, separately. Likewise, the whole burden voltage THD (stage a) is determined at 8.51%, as displayed in Fig. 15(e). Contrasted with situation 1 (VSI-DVR), we can construe that all the THD values in situation 2 (ZSI-DVR) are low.

TransZSI-DVR parameters			
PV panel	N_p	10	—
SunPower SPR-305E-	N_s	5	—
WHT-D	PV capacitor (C_{pv2})	1000	μF
(10*5*54.7*5.58=15.261 kW)			
BES	Rated capacity	200	Ah
Nickel-metal hydride (NiMH)	Nominal voltage	250	V
	Initial SOC	100	%
	Inductor (L_b)	6	mH
	Capacitor (C_b)	200	μF
DC/AC TransZSI IGBT based	DC-link capacitor (C_{dc2})	3000	μF
	Switching frequency (f_s)	10	kHz
	Capacitor (C_1)	400	μF
	Turns ratio ($n_2:n_1$)	2:1	—
	Modulation index (M)	0.93	—
	ST duty ratio (D_{sh})	0.2	—
	Filter capacitor (C_f)	40	μF
	Filter inductor (L_f)	1	mH
Three series transformers	Nominal apparent power (P_n)	25	kVA
	Nominal frequency (f_n)	60	Hz
	Primary voltage (V_1)	130	V
	Secondary voltage (V_2)	11	kV

C. SCENARIO 3: VOLTAGE Pay BY TRANSZSI-DVR

Despite the fact that ZSI can outflank conventional VSI, higher voltage gain without expanding the expense is of fundamental significance in the ZSI. TransZSI, as one of the ZSI's changed con-figurations, has a more extensive scope of voltage transformation (by transformer's turns proportion in (10)), less responsive components (Fig. 3(a)), and scarcely any component stresses (because of MCBC technique). In this situation, TransZSI with the UVT-MCBC strategy is proposed in the DVR design as the proposed TransZSI-DVR. The definite examinations of voltage gain, volt-age pressure, and UVT-MCBC technique have been undeniably led in area 2. Fig. 16 portrays the inventory voltage (PV systems result voltage), the infused voltage by the proposed TransZSI-DVR, and the heap voltage. In light of this figure, all the voltage aggravations are completely made up for. The issue connected with the higher size of the infused voltage toward the start of serious list and interference is entirely tended

to which affirms the precise identification of the UVT regulator in the UVT-MCBC strategy. Likewise, the drifters of the heap voltage are the most minimal, rather than the homeless people of VSI-DVR and ZSI-DVR. With grow, the deferral at the starting of the ideal voltage is limited more than previously, the variances of burden voltage toward the start (0.25-0.3s) don't exist any longer.

This is a result of the MCBC con-trawler which lessens the drifters to the least conceivable worth. The glints after the time period infused voltage are eliminated, and that implies the UVT-MCBC precisely and effectively recognizes the beginning and stop points of all voltage unsettling influences. The proposed TransZSI-DVR can deliver the best burden voltage. This is vital for sensitive and basic burdens. Figs. 17(a)- (d) show the voltage THD values (stage a) for each infused voltage of situation 3 where TransZSI-DVR is proposed. The upsides of voltage THD for extreme hang (0.05-0.1s), slight list with sounds (0.15-0.2s), enlarge (0.25-0.3s), and interference (0.35-0.4s) are estimated 2.42%, 10.90%, 38.22%, and 2.09%, individually. Likewise, the full burden voltage THD (stage a) is determined at 5.14%, as displayed in Fig. 17(e). Contrasted with situation 1 (VSI-DVR) and situation 2 (ZSI-DVR), we can reason that all the THD values in situation 3 with the proposed TransZSI-DVR are the least.

As displayed before in (17), by keeping the ST obligation proportion unaltered, the most reduced harmonics among the other two customary DVRs can be accomplished. Likewise, the exchanging beats of TransZSI in this situation are displayed in Fig. 18. The even and graphical examinations of voltage THD values (stage a, b, and c, and all out period) estimated in each DVR situation are given by Table 1 and Fig. 19, individually.

IV. CONCLUSION

In this work, another PV took care of TransZSI-DVR has been introduced to upgrade the power nature of PV frameworks. Contrasted with conventional VSI-DVR and ZSI designs, the proposed Trans-ZSIDVR brings critical advantages like being a buck and lift converter all the while, less latent components, more extensive voltage gain, and lower voltage weight on switches. For exact identification and satisfactory remuneration for voltage unsettling influences, the UVT-MCBC strategy has been carried out for TransZSI-DVR. Four unique voltage disturbances like serious hang (75%), slight droop with harmonics (half), grow (20%), and interference (100 percent) have been considered for execution assessment of the proposed TransZSI-DVR with UVT-MCBC. Such voltage aggravations have been tried in three different DVR situations. The theoretical examination and reproduction results have altogether substantiated the presentation of the proposed TransZSI-DVR with regards to adequate remuneration for list/grow/interference, an impressive decrease in voltage THD music, power quality upgrade of infused voltage to the PCC and PV framework's result voltage too.

The degrees for future examination will be numerous some of which could be as per the following. Examination into changed DVR control strategies to further develop the power nature of infused voltage to the PCC regarding its size, music, and furthermore exact recognition of start/stop point of the voltage disturbance better than anyone might have expected. One more examination spot would be the design of the inverter utilized in the DVR to lessen the expense, weight, and volume of the inverter, consequently diminishing the generally DVR cost. To wrap things up, the strength of the proposed DVR framework can be additionally considered, particularly for distant regions where the dependability of force is significant.

References:

- [1] R. Teodorescu, M. Liserre, and P. Rodriguez, *Grid Converters for Photo-voltaic and Wind Power Systems*. Piscataway, NJ, USA: Wiley, 2011.
- [2] G. S. Chawda, A. G. Shaik, M. Shaik, S. Padmanaban, J. B. Holm-Nielsen, O. P. Mahela, and P. Kaliannan, "Comprehensive review on detection and classification of power quality disturbances in utility grid with renewable energy penetration," *IEEE Access*, vol. 8, pp. 146807–146830, 2020.
- [3] A. A. Sallam and O. P. Malik, "Electric power quality," in *Electric distribution Systems*. Piscataway, NJ, USA: Wiley, 2019, pp. 295–319.
- [4] G. S. Chawda, A. G. Shaik, O. P. Mahela, S. Padmanaban, and J. B. Holm-Nielsen, "Comprehensive review of distributed FACTS control algorithms for power quality enhancement in utility grid with renewable energy penetration," *IEEE Access*, vol. 8, pp. 107614–107634, 2020.
- [5] Y. Han, Y. Feng, P. Yang, L. Xu, Y. Xu, and F. Blaabjerg, "Cause, classification of voltage sag, and voltage sag emulators and applications: A comprehensive overview," *IEEE Access*, vol. 8, pp. 1922–1934, 2020.
- [6] *IEEE Recommended Practice for Monitoring Electric Power Quality*, IEEE Standard 1159-1995, 1995.
- [7] A. Ghosh and G. Ledwich, "Custom power devices: An introduction," in *Power Quality Enhancement Using Custom Power Devices*. Boston, MA, USA: Springer, 2002, pp. 113–136.
- [8] A. Moghasssemi and S. Padmanaban, "Dynamic voltage restorer (DVR): A comprehensive review of topologies, power converters, control methods, and modified configurations," *Energies*, vol. 13, no. 16, p. 4152, Aug. 2020.
- [9] M. Prasad and A. K. Akella, "Voltage and current quality improvement by solar photovoltaic fed ZSI-DVR," *Procedia Comput. Sci.*, vol. 125, pp. 434–441, 2018.
- [10] J. Olamaei, S. Ebrahimi, and A. Moghasssemi, "Compensation of voltage sag caused by partial shading in grid-connected PV system through the three-level SVM inverter," *Sustain. Energy Technol. Assessments*, vol. 18, pp. 107–118, Dec. 2016.